

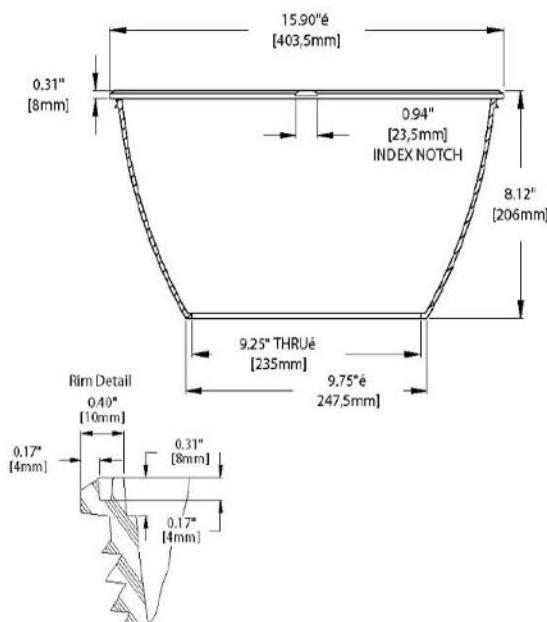
LEXALITE 200 SERIES REFRACTORS

MODELS 200-205-210-215



Models 200-205-210-215
8.12" High x 15.9" Diameter

Model #	Part #	Material	IES	MAX LAMP WATTAGE
200	703400	Polycarbonate Closed	V	250W HID
200	703001	Polycarbonate Closed	II	250W HID
Model #	Part #	Material	IES	
205	704407	Polycarbonate Open	V	400W HID
205	704008	Polycarbonate Open	II	400W HID
Model #	Part #	Material	IES	
210	705004	Acrylic Closed	V	250W HID
210	704806	Acrylic Closed	II	250W HID
215	705403	Acrylic Open	V	400W HID
215	705209	Acrylic Open	II	400W HID



MATERIALS:

Acrylic:

The service life of acrylic refractors is virtually unlimited when used within the recommended temperature limit.

Polycarbonate:

Polycarbonate refractors are subject to yellowing especially when used with high ultraviolet output light sources: this effect is enhanced at high temperatures

NOTICE

Capitol Lighting Plastics assumes no responsibility for suitability of luminaires and applications. The use of these refractors at excessive temperatures with high UV output light sources will cause premature degradation



Capitol Lighting Plastics

WWW.CAPITOLPLASTICS.COM
 Email: info@capitolplastics.com
 Ph: 916.564.2788 Fax: 916.564.2702

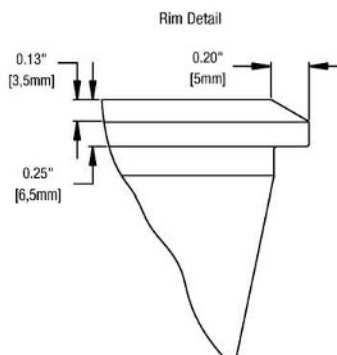
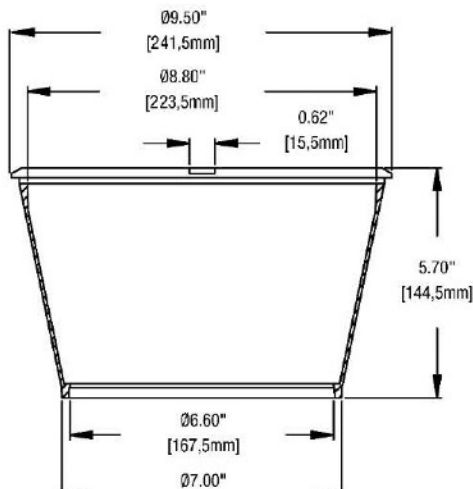
LEXALITE 200 SERIES REFRACTORS MODELS 220-225-230-237



Models 220-225-230-235-237
5.70" High x 9.5" Diameter

Lamping guidelines based on exterior applications

Model #	Part #	Material	IES	MAX LAMP WATTAGE
220	706205	Polycarbonate Closed Bottom	V	150W HID
220	705608	Polycarbonate Closed Bottom	III	150W HID
Model #	Part #	Material	IES	
225	707201	Polycarbonate Open Bottom	V	175W HID
225	706809	Polycarbonate Open Bottom	III	175W HID
Model #	Part #	Material	IES	
230	707805	Acrylic Closed Bottom	V	150W HID
230	707600	Acrylic Closed Bottom	III	150W HID
Model #	Part #	Material	IES	
235	708208	Acrylic Open Bottom	V	175W HID
235	708003	Acrylic Open Bottom	III	175W HID



MATERIALS:

Acrylic:

The service life of acrylic refractors is virtually unlimited when used within the recommended temperature limit.

Polycarbonate:

The service life of polycarbonate refractors are subject to yellowing especially when used with high ultraviolet output light sources: this effect is enhanced at high temperatures

NOTICE

Capitol Lighting Plastics assumes no responsibility for suitability of luminaires and applications. The use of these refractors at excessive temperatures with high UV output light sources will cause premature degradation



Capitol Lighting Plastics

WWW.CAPITOLPLASTICS.COM

Email: info@capitolplastics.com

Ph: 916.564.2788 Fax: 916.564.2702