

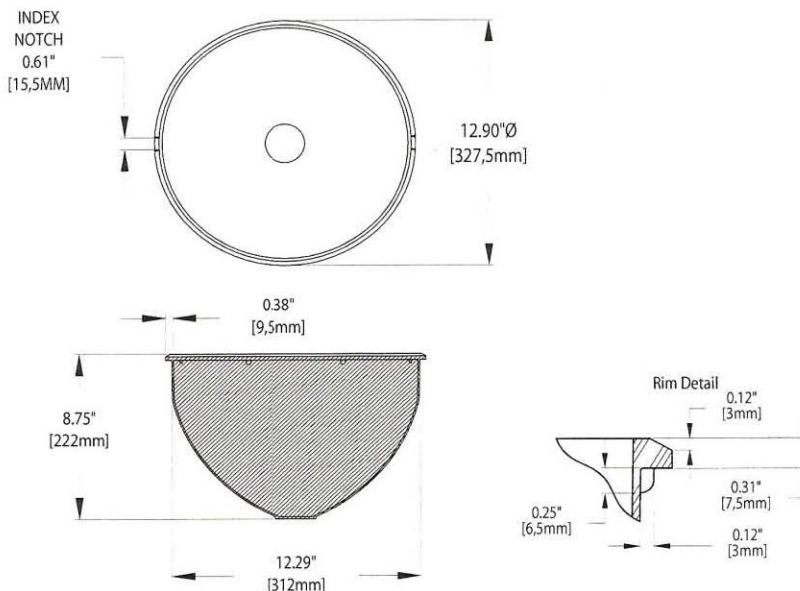
# LEXALITE 100 SERIES REFRACTORS

## Models 110 and 111



**Models 110-111**  
**8.75" High x 13" Diameter**

| Model # | Part # | Material      | IES |
|---------|--------|---------------|-----|
| 110     | 701009 | Polycarbonate | V   |
| 110     | 700606 | Polycarbonate | III |
| Model # | Part # | Material      | IES |
| 111     | 700804 | Acrylic       | V   |
| 111     | 700807 | Acrylic       | III |



### MATERIALS:

**MODEL 110 Polycarbonate**  
 For use with up to 175 Watt HID lamps.

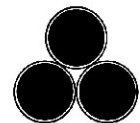
Polycarbonate refractors are subject to yellowing especially when used with high ultraviolet output light sources: this effect is enhanced at high temperatures

**MODELS 111 Acrylic**  
 For use with up to 150 Watt HID lamps.

The service life of acrylic refractors is virtually unlimited when used within the recommended temperature limit.

### NOTICE

Capitol Lighting Plastics assumes no responsibility for suitability of luminaires and applications. The use of these refractors at excessive temperatures with high UV output light sources will cause premature degradation

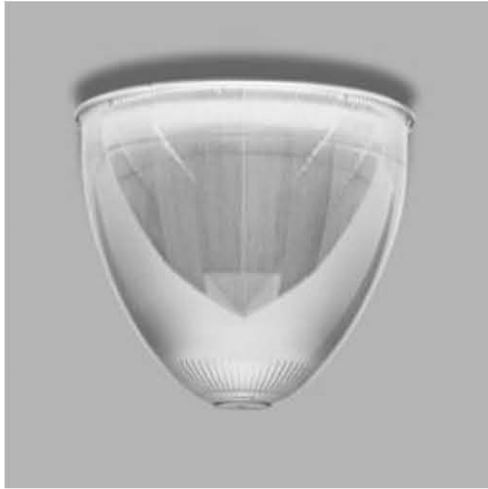


**Capitol Lighting Plastics**

WWW.CAPITOLPLASTICS.COM  
 Email: info@capitolplastics.com  
 Ph: 916.564.2788 Fax: 916.564.2702

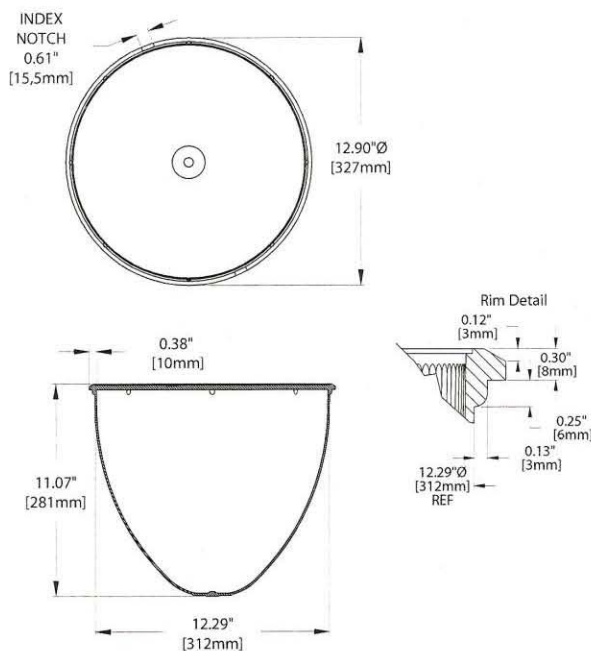
# LEXALITE 100 SERIES REFRACTORS

## Models 120-121



**Models 120-121**  
**11.07" High x 13" Diameter**

| Model # | Part # | Material      | IES |
|---------|--------|---------------|-----|
| 120     | 702404 | Polycarbonate | V   |
| 120     | 702393 | Polycarbonate | III |
| Model # | Part # | Material      | IES |
| 121     | 702360 | Acrylic       | V   |
| 121     | 702627 | Acrylic       | III |



### MATERIALS:

**MODEL 120 Polycarbonate**  
 For use with up to 250 Watt HID lamps.

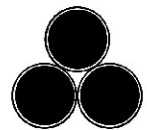
Polycarbonate refractors are subject to yellowing especially when used with high ultraviolet output light sources: this effect is enhanced at high temperatures

**MODEL 121 Acrylic**  
 For use with up to 250 Watt HID lamps.

The service life of acrylic refractors is virtually unlimited when used within the recommended temperature limit.

### NOTICE

Capitol Lighting Plastics assumes no responsibility for suitability of luminaires and applications. The use of these refractors at excessive temperatures with high UV output light sources will cause premature degradation



**Capitol Lighting Plastics**

WWW.CAPITOLPLASTICS.COM

Email: info@capitolplastics.com

Ph: 916.564.2788 Fax: 916.564.2702